

Items Supplied >

- 1 – FRONT MUFFLER ASSEMBLY
- 1 – REAR MUFFLER ASSEMBLY
- 2 – CLAMP, 27-61MSC

Application >

HARLEY:
FATBOY/DEUCE

00-06

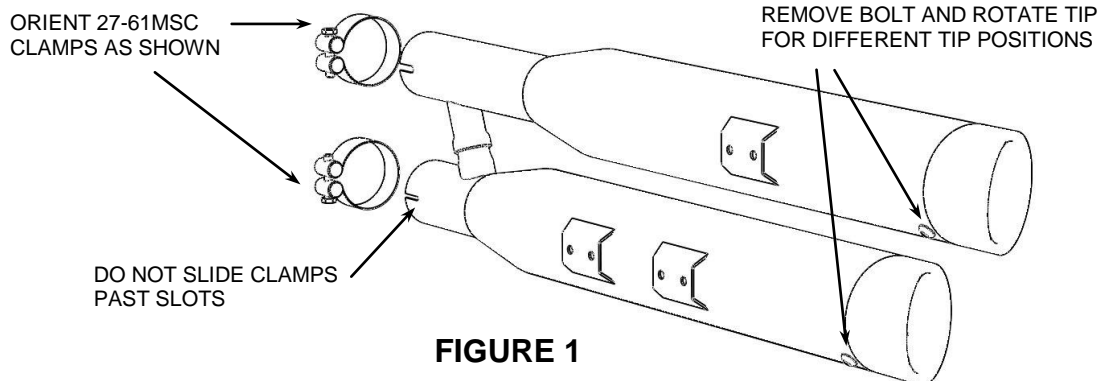
Instruction Manual >

6000

Page 1 of 1

Read all instructions carefully and completely before installing your new slip-on mufflers

1. Remove the stock muffler mounting bolts and save. Loosen the stock muffler clamps then pull both mufflers (in unison) from the headpipes. The stock clamps will not be reused.
2. Remove gasket from muffler crossover slip and install into the supplied rear slip-on muffler. If needed, a replacement gasket can be purchased through your dealer (HD Part #65830-03).
3. Slide the supplied 27-61MSC clamps over the slip-on mufflers and position them as shown in Figure 1.
4. *NOTE: THE MUFFLER WITH THE COBRA LOGO WILL ALWAYS BE THE REAR MUFFLER.* Connect the crossover slips together and slide both mufflers onto the headpipes in unison (reverse the order of removal) until the mounting holes align.
5. Fasten the mufflers using the stock mounting bolts in the same manner as stock but **do not tighten**. Verify that the gap, where the mufflers meet the stock heatshields, is similar to the gap the stock mufflers allotted.
6. Check all clearances and alignments, then tighten the clamps. (*NOTE: If the muffler clamps are slid past the slots on the slip collar the clamps will not tighten the mufflers properly*). Tighten all loose bolts to factory specifications.
7. *NOTE: The exhaust tips may be loosened and oriented to various positions for different visual effects.*



REPLACEMENT E-GLASS PACKING AND OPTIONAL 1/4" QUIET CORES MAY BE PURCHASED THROUGH YOUR DEALER OR ONLINE AT WWW.COBRAUSA.COM

IMPORTANT: To achieve optimum performance from your new mufflers it is suggested that you install a Cobra Fi2000® Digital Fuel Processor. Visit www.fi2000r.com

Before starting your engine remove all fingerprints from chrome with a quality wax or chrome polish. Failure to do so can cause chrome discoloration.

California does not allow the use of aftermarket exhaust systems that remove original equipment catalysts, (except for racing use only) unless the Air Resources Board has issued an Executive Order for that system.

* **Cobra® recommends you always wear a helmet while riding. Please never operate your motorcycle while under the influence of alcohol and/or drugs. Enjoy the new look of your motorcycle and please ride safely.**