



Custom Dynamics® Dynamic Load Isolator Installation Instructions

We thank you for purchasing the Custom Dynamics® Dynamic Load Isolator! Our products utilize the latest technology and high quality components to ensure you the most reliable service. We offer one of the best warranty programs in the industry and we back our products with excellent customer support, if you have questions before or during installation of this product please call Custom Dynamics® at 1(800) 382-1388.

Part Number: CD-DLI-SFT

Package Contents:

- Dynamic Load Isolator (DLI) (1)

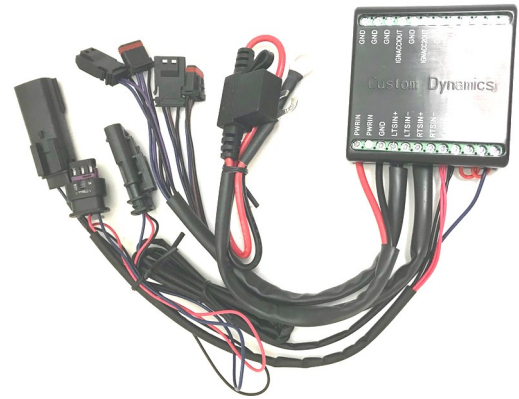
Fits: 2018-2022 Harley-Davidson® Heritage Classic (FLHC/FLHCS), Deluxe (FLDE), Low Rider (FXLR) & Low Rider S (FXLRS), 2022 Low Rider ST (FXLRST) and 2019-2020 FXDR models typically carry turn only power. The DLI will feed turn power only on the output ports with LTOUT and RTOUT labels.

NOTE: The DLI LTOUT and RTOUT labels will be turn only.

2018-2022 Harley-Davidson® Softail Street Bob (FXBB/FXBBS), Fat Boy (FLFB/FLFBS), Fat Bob (FXFB/FXFBS), 2020-2022 Softail Standard (FXST), Breakout (FXSB/FXSR), 2018-2021 Sport Glide (FLSB) and Slim (FLSL) models typically carry brake & turn signal power. The DLI will feed brake & turn signal power on the output ports with LTOUT and RTOUT labels.

NOTE: The DLI LTOUT and RTOUT labels will be brake & turn.

**COMPATIBLE WITH ANY ELECTRICAL ACCESSORY UP TO 10 AMPS.
30 AMP TOTAL MAXIMUM OUTPUT CAPACITY**



Installation:

1. Secure motorcycle on level surface.
2. Remove seat.
3. Disconnect negative [-] battery cable from the battery.
4. Locate and unplug the lighting connectors to the rear fender under the seat.
5. Plug the DLI module, in-line, into the rear brake light harness. Plug the DLI connector with the purple wire (Left Turn) to the Gray connector of the bike. Plug the DLI connector with the brown wire (Right Turn) to the Black connector of the bike. (Refer to Picture 1 on Page 2.)
6. Remove the left side cover and locate the bike's P&A connector as shown in Picture 2 on Page 2. Plug the P&A connector from the DLI into the bike's P&A connector.
7. Attached the single Red fusible wire of the Dynamic Load Isolator to the positive side of the battery.
8. Select the desired functions of the Dynamic Load Isolator (see diagram on page 2).
9. Use a small straight slot or Phillips screw driver in the output bank selected and turn the screw counter-clockwise until the wire port is open .
10. Place the wire of the accessory in the wire port of the Dynamic Load Isolator and turn the screw clockwise until it is tight against the wire.
11. Attach the single Black wire of the Dynamic Load Isolator and the battery's negative battery cable to the negative [-] of the battery.
12. Check operation of all lighting before riding.
13. Locate a secure place for the Dynamic Load Isolator unit that will not interfere with the secure placement of the seat.
14. Reinstall seat.



ATTENTION



Please read all Information below before Installation

Warning: Do not exceed 30 amp load. Doing so could cause the unit to overheat.

Important: Module must be secured after installation.

Important: DO NOT attempt to make changes to the input side of the Dynamic Load Isolator. Doing so will cause malfunction of unit.

Note: If a Brake Strobe unit is plugged in front (before) the DLI, both the bike's rear harness and any brake accessories attached on the output side of the DLI will have the brake strobe pattern. If the Brake Strobe unit is plugged in behind (after) the DLI, only the rear harness of the bike will have the brake strobe pattern.

Note: Run/Brake/Turn units must be plugged in behind (after) the Dynamic Load Isolator.

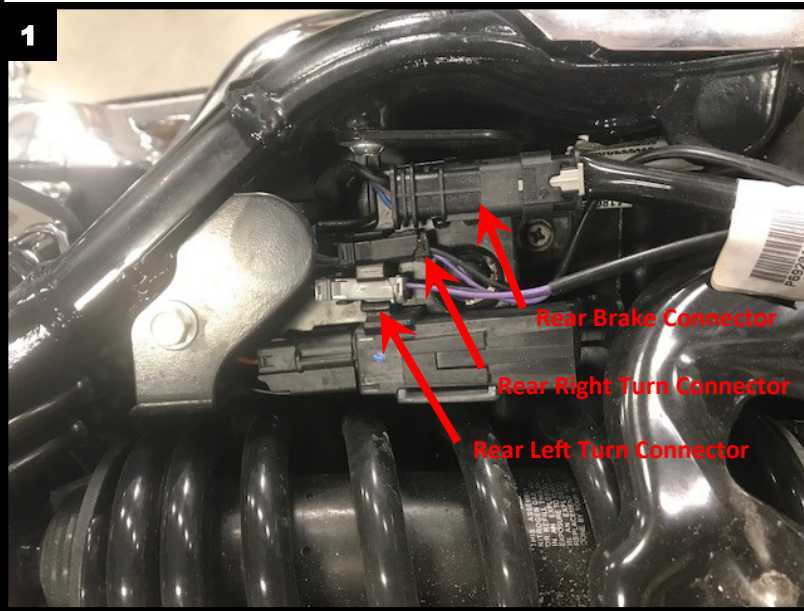
Note: Each wire port can accept multiple wires depending on the gauge of the wire.

Note: While some wiring examples are included, follow the directions included with each accessory you are adding to the Dynamic Load Isolator.

Note: Smart Signal Stabilizer™ or load equalizers must be installed in front of (before) the Dynamic Load Isolator.

Questions? Call us at: 1 (800) 382-1388 M-TH 8:30AM-5:30PM / FR 9:30AM-5:30PM EST

Installation Instructions - Page 2



DLI Output Port Functions:

GND: Four Ground outputs.

IGNACCOUT 1 & 2: 12 volt switchable power sources that can be used for accessories or running light operation.

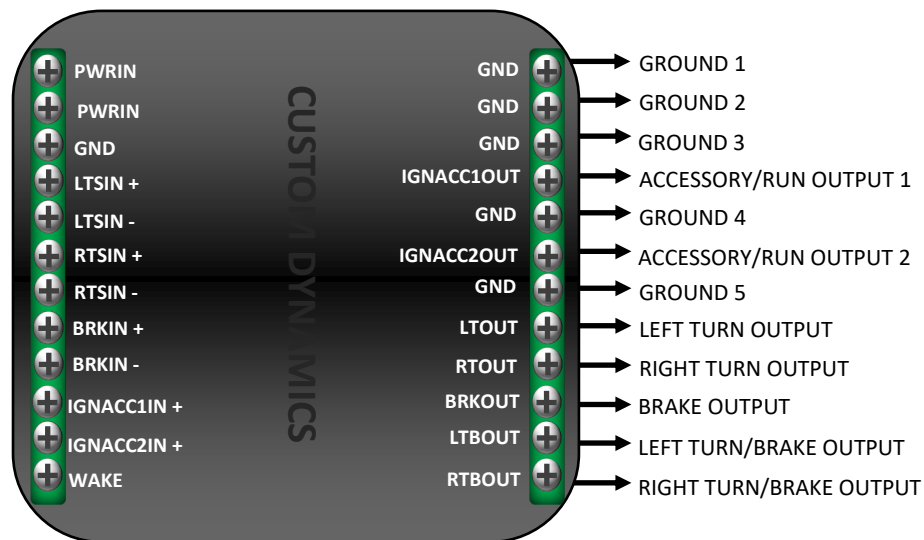
LTOUT: Output follow bike's rear turn signal circuit operation. Turn Only or Turn and Brake. Refer to Fitment Section on Page 1.

RTOUT: Output follow bike's rear turn signal circuit operation. Turn Only or Turn and Brake. Refer to Fitment Section on Page 1.

BRKOUT: Brake signal operation only.

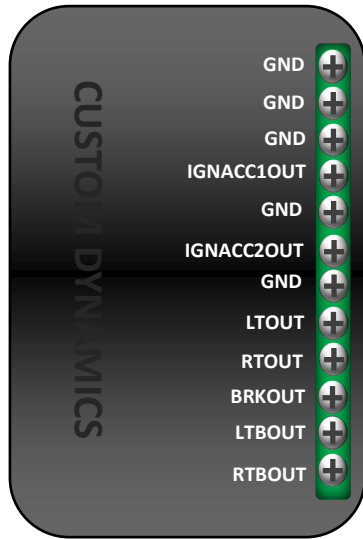
LTBOUT: Left turn signal and Brake operation with turn signal over riding the brake signal for the left side. The right side will still receive a brake signal.

RTBOUT: Right turn signal and brake operation with turn signal over riding the brake signal for the right side. The left side will still receive a brake signal.



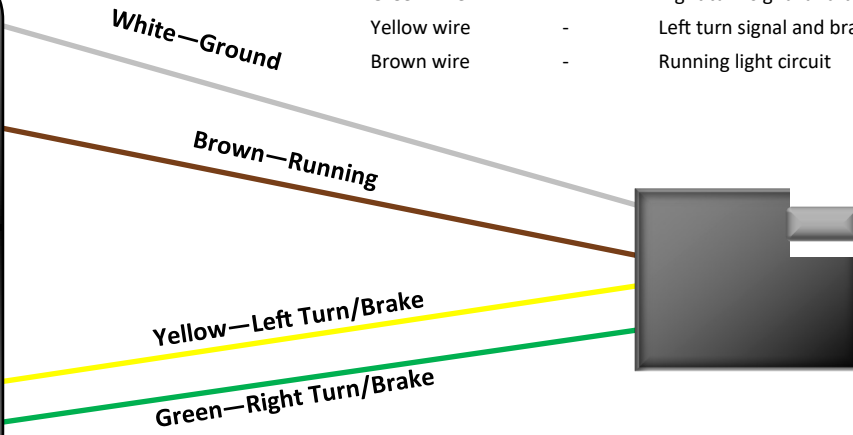
Installation Instructions - Page 3

4 Pin Trailer Harness



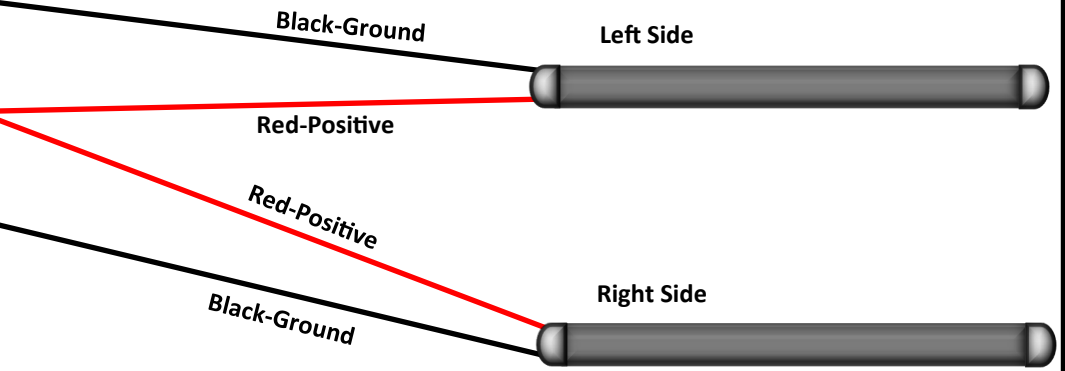
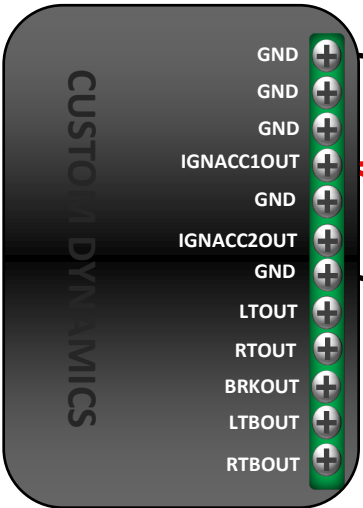
4 Pin Trailer Harness (optional):

- White wire - Ground
- Green wire - Right turn signal and brake signal
- Yellow wire - Left turn signal and brake signal
- Brown wire - Running light circuit

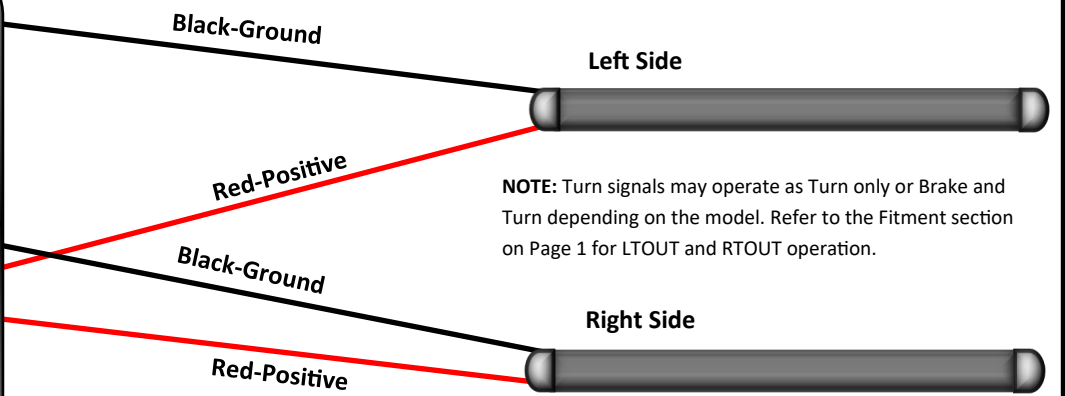
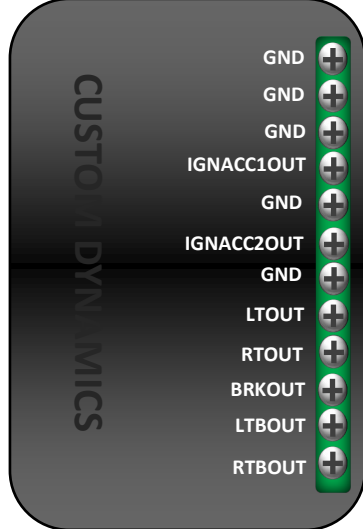


Run Operation:

Single Intensity LEDs



Turn Operation:

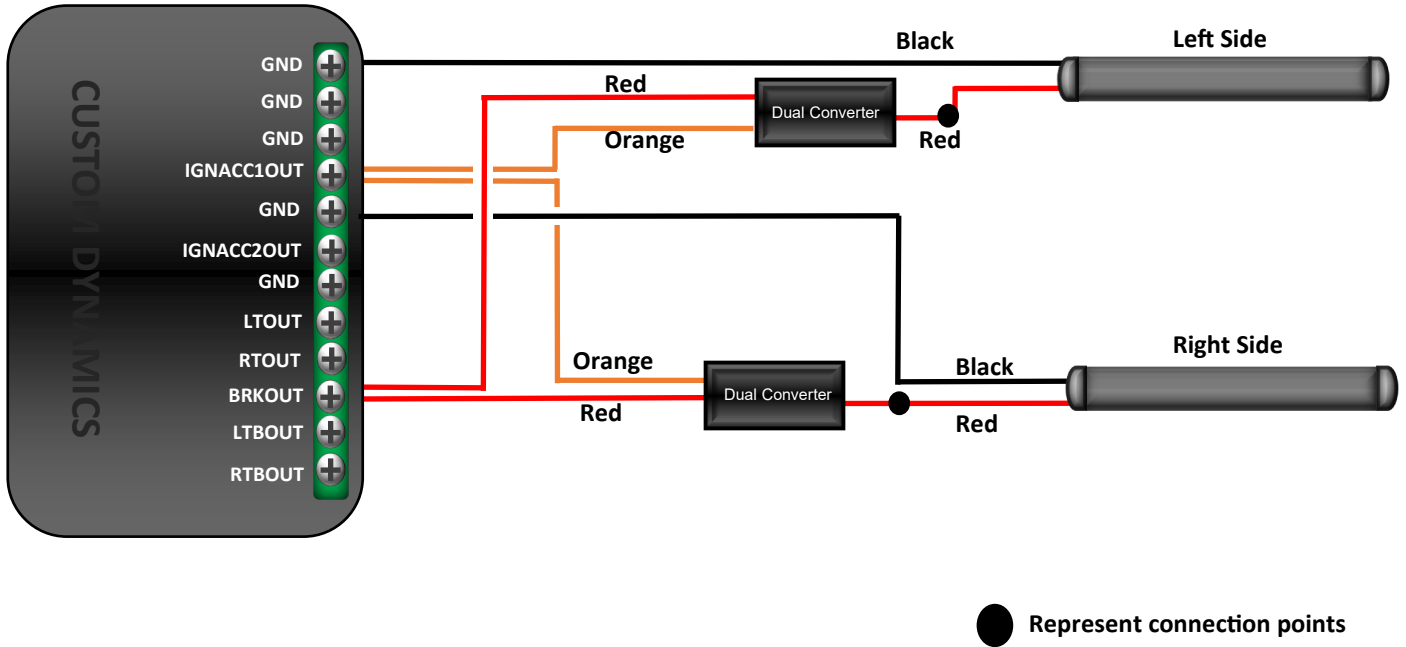


NOTE: Turn signals may operate as Turn only or Brake and Turn depending on the model. Refer to the Fitment section on Page 1 for LTOUT and RTOUT operation.

Installation Instructions - Page 4

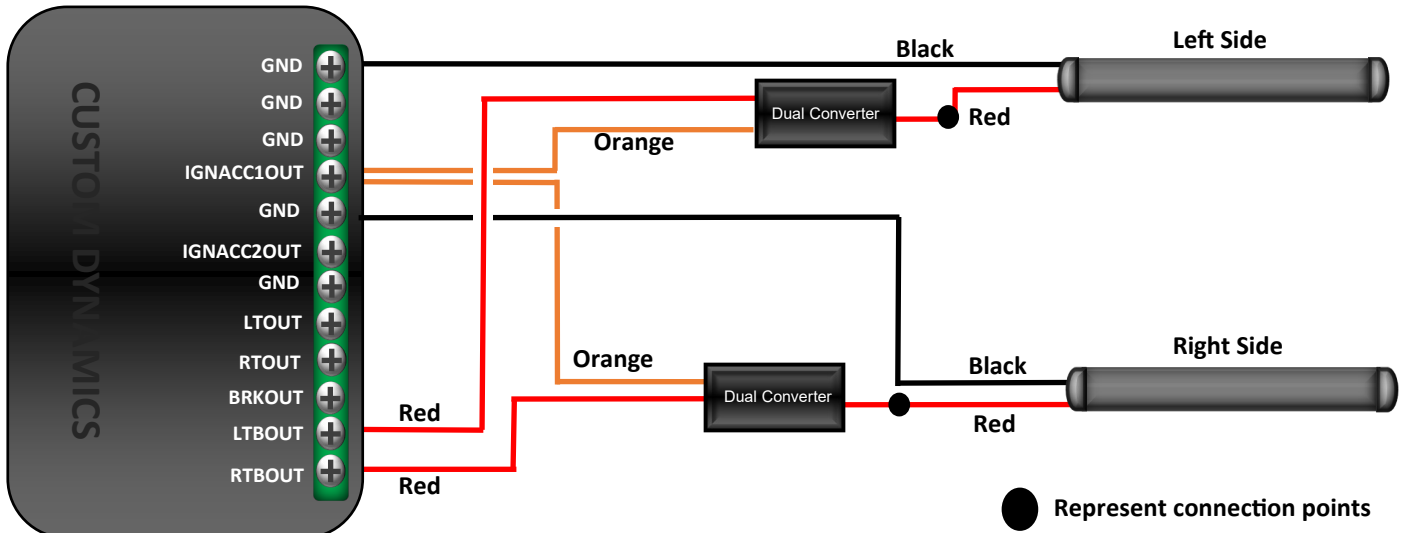
Dual Intensity LEDs

Run-Brake Operation:



Dual Intensity LEDs

Run-Brake-Turn Operation:



Note: While some wiring examples are included, follow the directions included with each accessory added to the Dynamic Load Isolator.