

Instruction 510-0537

09-26-17

Version 1

Copyright © 2017

by S&S® Cycle, Inc.

All rights reserved.

Printed in the U.S.A.

S&S® Cycle, Inc.

14025 Cty Hwy G

Viola, Wisconsin 54664

Phone: 608-627-1497 • Fax: 608-627-1488

Technical Service Phone: 608-627-TECH (8324)

Technical Service Email: sstech@sscycycle.com

Website: www.sscycycle.com



Installation Instructions: S&S Slip-on Muffler kits for 1995-2017 Harley-Davidson® Dyna® Models

DISCLAIMER:

NOT LEGAL FOR SALE OR USE IN CALIFORNIA ON ANY POLLUTION CONTROLLED MOTOR VEHICLES. Not legal for sale or use on EPA pollution controlled motorcycles originally equipped with mufflers containing catalyst.

*Qualified Manufacturer Declared Emissions Replacement Part on the Dyna® models listed below.

Fat Bob®, Wide Glide® and Low Rider® S:

California Models: Fat Bob MY 2008, 2010-2017; Wide Glide MY 2010-2017; Low Rider S MY 2017

49 State Models: Fat Bob MY 2008-2017; Wide Glide MY 2010-2017; Low Rider S MY 2017

All other Dyna models:

California Models: MY 2006-2007, Except CVO models

49 State Models: MY 1995-2009, Except CVO models

SAFE INSTALLATION AND OPERATION RULES:

Before installing your new S&S part, it is your responsibility to read and follow the installation and maintenance procedures in these instructions and follow the basic rules below for your personal safety.

- Gasoline is extremely flammable and explosive under certain conditions and toxic when breathed. Do not smoke. Perform installation in a well ventilated area away from open flames or sparks.
- If motorcycle has been running, wait until engine and exhaust pipes have cooled down to avoid getting burned before performing any installation steps.
- Before performing any installation steps, disconnect battery to eliminate potential sparks and inadvertent engagement of starter while working on electrical components.
- Read instructions thoroughly and carefully so all procedures are completely understood before performing any installation steps. Contact S&S with any questions you may have if any steps are unclear or any abnormalities occur during installation or operation of motorcycle with an S&S part on it.
- Consult an appropriate service manual for your motorcycle for correct disassembly and reassembly procedures for any parts that need to be removed to facilitate installation.
- Use good judgment when performing installation and operating motorcycle. Good judgment begins with a clear head. Don't let alcohol, drugs or fatigue impair your judgment. Start installation when you are fresh.
- Be sure all federal, state and local laws are obeyed with the installation.
- For optimum performance and safety and to minimize potential damage to carb or other components, use all mounting hardware that is provided and follow all installation instructions.
- Motorcycle exhaust fumes are toxic and poisonous and must not be breathed. Run motorcycle in a well ventilated area where fumes can dissipate.

IMPORTANT NOTICE:

Statements in this instruction sheet preceded by the following words are of special significance.



WARNING

Means there is the possibility of injury to yourself or others.



CAUTION

Means there is the possibility of damage to the part or motorcycle.

NOTE

Other information of particular importance has been placed in italic type.

S&S recommends you take special notice of these items.

WARRANTY:

All S&S parts are guaranteed to the original purchaser to be free of manufacturing defects in materials and workmanship for a period of twelve (12) months from the date of purchase. Merchandise that fails to conform to these conditions will be repaired or replaced at S&S's option if the parts are returned to us by the purchaser within the 12 month warranty period or within 10 days thereafter.

In the event warranty service is required, the original purchaser must call or write S&S immediately with the problem. Some problems can be rectified by a telephone call and need no further course of action.

A part that is suspect of being defective must not be replaced by a Dealer without prior authorization from S&S. If it is deemed necessary for S&S to make an evaluation to determine whether the part was defective, a return authorization number must be obtained from S&S. The parts must be packaged properly so as to not cause further damage and be returned prepaid to S&S with a copy of the original invoice of purchase and a detailed letter outlining the nature of the problem, how the part was used and the circumstances at the time of failure. If after an evaluation has been made by S&S and the part was found to be defective, repair, replacement or refund will be granted.

ADDITIONAL WARRANTY PROVISIONS:

- (1) S&S shall have no obligation in the event an S&S part is modified by any other person or organization.
- (2) S&S shall have no obligation if an S&S part becomes defective in whole or in part as a result of improper installation, improper maintenance, improper use, abnormal operation, or any other misuse or mistreatment of the S&S part.
- (3) S&S shall not be liable for any consequential or incidental damages resulting from the failure of an S&S part, the breach of any warranties, the failure to deliver, delay in delivery, delivery in non-conforming condition, or for any other breach of contract or duty between S&S and a customer.

Tools Required:

- 3/8" Ratchet
- 15mm deep socket
- 1/2" deep socket
- 9/16" deep socket
-

Installation Procedures

Note - These installation instructions cover a number of models. Follow the instructions for the model that mufflers will be installed on.

Fat Bob, Wide Glide and Low Rider S models

1. Stock Muffler Removal
 - a. Remove the screw that secures the top muffler to the bottom muffler
 - b. Remove the screw securing the top muffler to the muffler bracket
 - c. Loosen muffler clamps
 - d. Remove the mufflers from the head pipes.
2. New Muffler Installation
 - a. Install the muffler clamps onto inlet of new mufflers. Orient the new clamps in the same direction as they were on the stock mufflers.
 - b. Install the top and bottom mufflers onto the head pipes. Leave clamps loose.
 - c. Install the provided muffler-to-muffler screw that connects the top muffler to the bottom muffler but do not fully tighten.
 - d. Install the provided screw that secures the top muffler to the muffler bracket but do not fully tighten.
 - e. Tighten the muffler mounting screw to 25-30 ft-lbs.
 - f. Tighten the muffler to muffler screw to 17-21 ft-lbs.
 - g. Tighten the muffler clamps to 38-43 ft-lbs.
 - h. Thoroughly clean pipes and mufflers with a non abrasive cleaner before starting the engine.
 - i. After the first test ride, allow bike to cool down, and re-check fastener torque.

- b. Install the top and bottom mufflers onto the head pipes. Leave clamps loose.
- c. Install the muffler support bracket using the provided carriage bolts and nuts. Leave fasteners loose.
- d. Align mufflers and tighten the nuts to 25-30 ft-lbs.
- e. Tighten the muffler clamps to 38-43 ft-lbs.
- f. Thoroughly clean pipes and mufflers with a non abrasive cleaner before starting the engine.
- g. After the first test ride allow bike has cool down, and re-check fastener torque.

NOTE - Avoid the use of pressure washers, harsh chemicals or abrasive cleaners. If water gets into muffler during washing, remove moisture to prevent corrosion by starting engine to warm up exhaust system

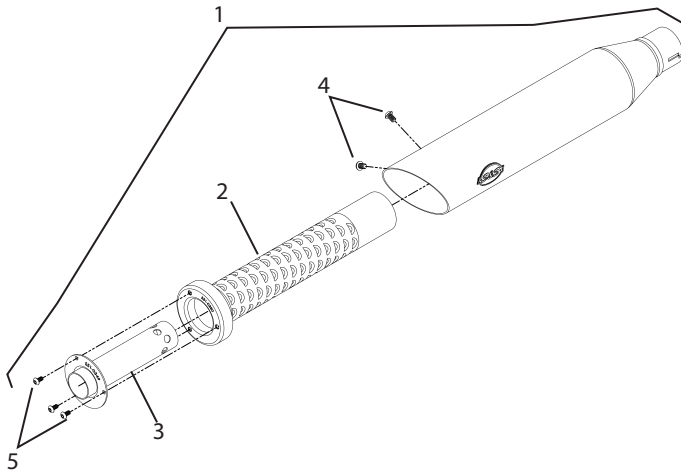
All other models with staggered mufflers

1. Stock Muffler Removal
 - a. Remove the bracket connecting the front and rear mufflers.
 - b. Remove the carriage bolts from the mufflers.
 - c. Loosen muffler clamps
 - d. Remove the mufflers from the head pipes.
2. New Muffler Installation
 - a. Install the muffler clamps onto inlet of new mufflers. Orient the new clamps in the same direction as they were on the stock mufflers.

Replacement Parts for Slip-on mufflers

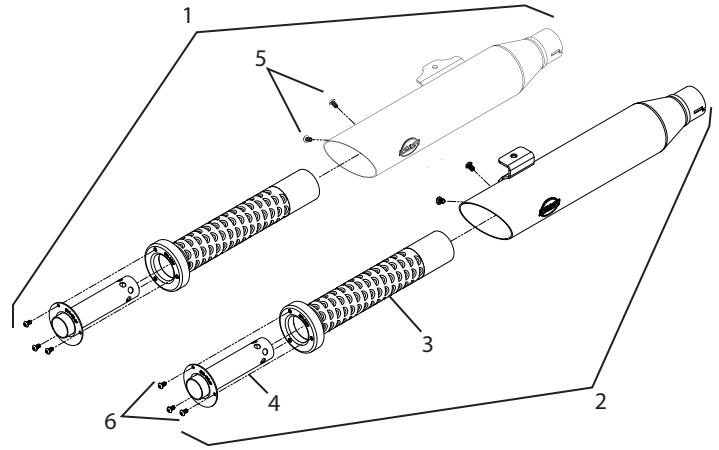
Kit Pn's : 550-0718 and 550-0720

1. Slash Cut Muffler Assembly, Front or Rear
 Chrome551-0308
 Black.....551-0311
2. Main Baffle Assembly551-0301
3. dB Killer Baffle.....551-0350
4. Button head cap screw, Stainless, 1/4"-20x3/8"1
 (Hold Main baffle assy to muffler shell)500-044
5. Socket head cap screw, Stainless, 10-32x3/8"
 (Hold db killer baffle to main baffle assy)500-0570



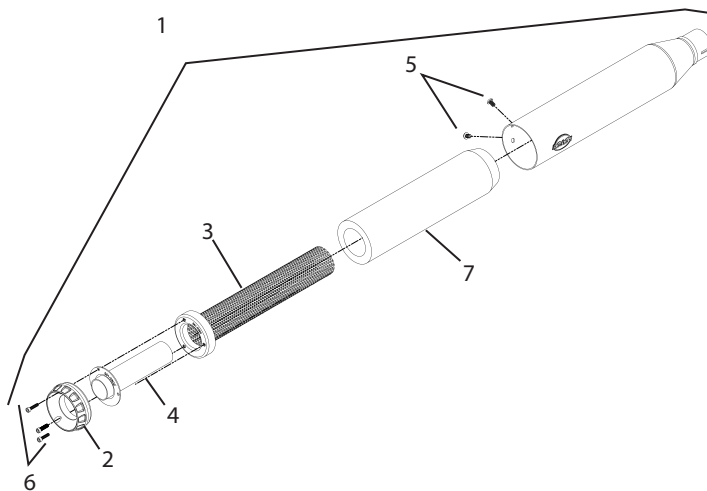
Kit Pn's : 550-0722 and 550-0724

1. Top Muffler Assembly Slash Cut
 Chrome,551-0320
 Black,551-0323
2. Bottom Muffler Assembly,Slash Cut
 Chrome551-0326
 Black.....551-0329
3. Main Baffle Assembly551-0301
4. dB Killer Baffle.....551-0350
5. Button head cap screw, Stainless, 1/4"-20x3/8"
 (Hold Main baffle assy to muffler shell)500-0441
6. Socket head cap screw, Stainless, 10-32x3/8"
 (Hold db killer baffle to main baffle assy)500-0570



Kit Pn's : 550-0719 and 550-0721

1. Muffler Assembly Front or Rear
 Grand National, Chrome551-0314
 Grand National, Black.....551-0317
2. End Cap.....551-0294
3. Main Baffle Assembly551-0299
4. dB Killer Baffle.....551-0304
5. Button head cap screw, Stainless, 1/4"-20x3/8"
 (Hold Main baffle assy to muffler shell)500-0441
6. Socket head cap screw, Stainless, 10-32x3/4"
 (Hold End Cap to main baffle assy).....500-0569
7. Insulation, Muffler, Pillow Pack551-0305



Kit Pn's : 550-0723 and 550-0725

1. Muffler Assembly, Grand National, Top
 Chrome551-0332
 Black.....551-0335
2. Muffler Assembly, Grand National, Bottom
 Chrome551-0335
 Black.....551-0341
3. End Cap.....551-0294
4. Main Baffle Assembly551-0299
5. dB Killer Baffle.....551-0304
6. Button head cap screw, Stainless, 1/4"-20x3/8"
 (Hold Main baffle assy to muffler shell)500-0441
7. Socket head cap screw, Stainless, 10-32x3/4"
 (Hold End Cap to main baffle assy).....500-0569
8. Insulation, Muffler, Pillow Pack551-0305

