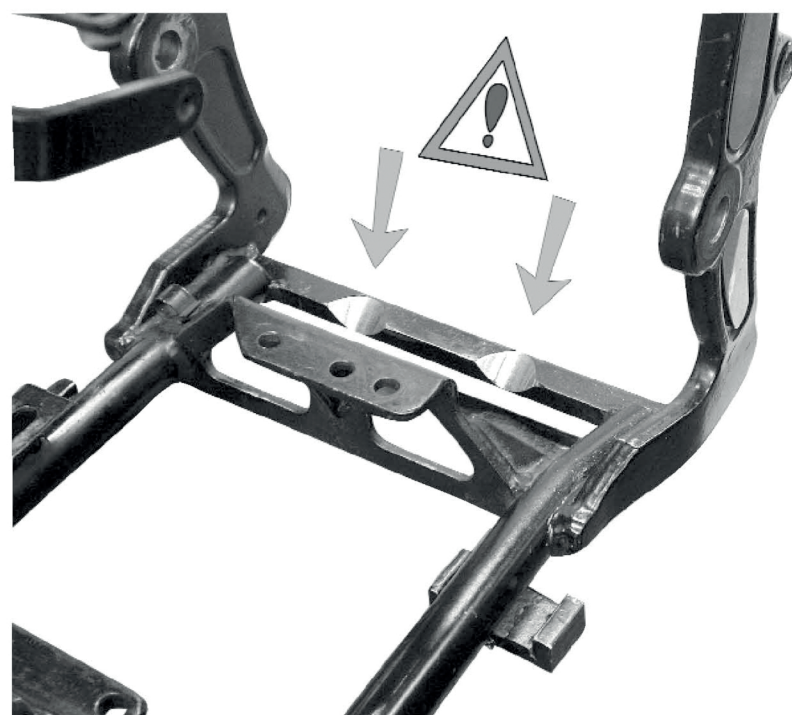


Do not use
OEM Softtail



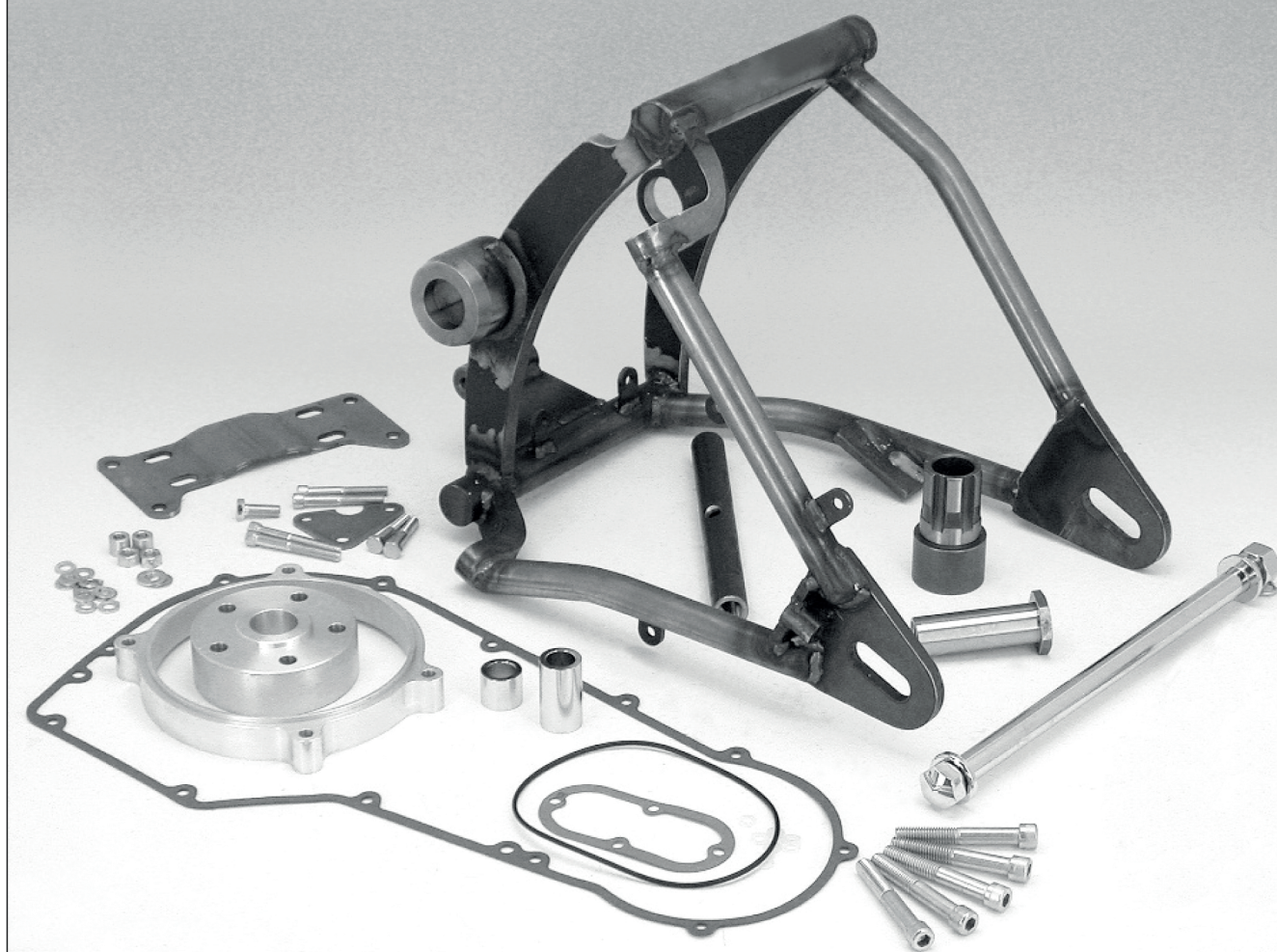
"WideAss" swingarms install with the stock pivot bearings but with the clips on the OUTside of the swingarm, and WITHOUT the OEM spacerrings!

OEM Softtail
Do not use



"WIDE-ASS" SWINGARM KIT FOR LATE 1987 THRU 1999 EVOLUTION SOFTTAILS

- Complete "Wide-Ass" kits
- 236486 Complete kit, fits late 1987 thru 1988
- 236487 Complete kit, fits 1989 thru 1990
- 236488 Complete kit, fits 1991 thru 1999





Pos.	Part no	Description	Qty. Kit 236486	Qty. Kit 236487	Qty. Kit 236488
1	236480	Rear Axle	1	1	1
2	236489	Wide-Ass Swingarm	1	1	
3	236490	Off-set Transmission plate	1	1	1
4	236492	Rear pulley to wheel spacer	1	1	1
5	236493	Wheel axle spacer long chrome	1	1	1
6	236494	Wheel axle spacer short chrome	1	1	1
7	236498	Inner spacer ring	1	1	1
8	346210	25mm Extended shaft extension	1	1	1
9		25 mm extended crankshaft nut			
10	346212	1984 thru 1990 models	1	1	-
	346214	1991 thru 1999 models	-	1	1
	700011	O-ring chain housing	1	1	1
11		Gasket kit			
12	700362	1984 thru 1986 models	1	-	-
	700365	1987 thru 1999 models	-	1	1
	940050	Inner primary lock tab	6	6	6
13		Spring Washer 3/8"	1	1	1
14		Washer 3/8"	2	2	2
15		Hex head bolt UNC 5/16"x1-3/4"	2	2	2
16		Hex head bolt UNF 3/8"x1" zinc	1	1	1
17		UNF nut 3/8"	1	1	1
18		Allen Bolt 5/16UNC x2-1/4"	2	2	2
19		Ring Flat 5/16"x 5/8"	6	6	6
20		Spring Washer 5/16" Zinc	4	4	4
21		Allen Bolt 5/16UNC x2-1/2" Zinc	2	2	2
22		Spacer Wide Ass swingarm	2	2	2
23		Transmission support plate	1	1	1
24		Stainless swingarm plate	1	1	1
A		Drill 3/8"hole			

