

Items Supplied >

2 – HEADPIPES & HEATSHIELDS
1 – MUFFLER SET
1 – EXHAUST HEADPIPE SUPPORT BRACKET (BLACK)
2 – PLATED MUFFLER TIPS
4 – CLAMP, HS-24; 2 – CLAMP, HS-28
2 – CLAMP, 27-61MSC
1 – STEEL PINCH CLAMP, 1 3/4 INCHES
2 – BOLT, HEX 5/16 x 5/8 INCHES
1 – BOLT, CARRAGE 3/8 x 1 INCH; 1- NUT & WASHER 3/8
2 – BOLT, BUTTONHEAD SS 1/4 X 3/8 INCHES
2 – SPACER, BLACK 3/16 INCHES LONG

Application(s) >

HARLEY:
FLHR (S) 1995 - 2006
FLHRC 1995 - 2006
FLHX 1995 - 2006
FLTR 1995 - 2006
FLHT 1995 - 2006
FLHTC 1995 - 2006
FLHTCU 1995 - 2006

Instruction Manual >

6960

Page 1 of 2

WE RECOMMEND THE USE OF THE APPROPRIATE FI2000 DIGITAL FUEL-INJECTION TUNER. PRIOR TO INSTALLATION, MAKE SURE THE STOCK HEADPIPE GASKETS ARE IN GOOD CONDITION, IF THERE IS ANY DOUBTS ABOUT THEIR CONDITION REPLACE THEM.

Read all instructions carefully and completely before installing your new exhaust system

1. Remove both left and right saddlebags and set them aside.
2. Remove the right side floorboard from the frame and set aside.
3. Remove the stock exhaust system. Disassembly may be aided by lubricating the slip joints of the exhaust.
4. Remove the rear headpipe support-mounting bracket by removing the two starter mounting bolts, then reinstall the bolts and tighten to factory specifications. Make sure the battery ground cable is properly routed and secure against the frame bulkhead. Remove the sliding hanger from the rubber bushing on the **left** rear muffler mount.
5. Place your motorcycle on the sidestand. Remove the front headpipe support bracket by removing the engine oil filler cover and clutch release cover; these must be removed to access the bolts retaining the stock bracket. A small amount of oil may leak out as the cover is removed (If the motorcycle's suspension has been lowered or the sidestand modified you may want to drain the engine/transmission oil before removing the covers). Remove the four bolts securing the stock front headpipe support bracket, note which bolts go where if any are longer than the others. Install the supplied support bracket with the stock mounting bolts and tighten to factory specifications, see Figure 1.
6. Remove the flange and retaining ring from the stock headpipes.
7. Remove front and rear headpipe from box and install stock flange and retaining ring onto pipes.
8. Slide the supplied tube clamp over the front headpipe making sure the clamps square hole is on top and to the inside.
9. Install the front and rear headpipes on the motorcycle make sure they are parallel but **DO NOT TIGHTEN**.
10. Slide the tube clamp over the headpipe support bracket installed in step 5 capturing the mount on both sides, see Figure 2. Insert the supplied 3/8 carriage head bolt from top to bottom through the clamp, washer and into the locknut but **DO NOT TIGHTEN** at this time.
11. Remove the muffler assembly from the box and slide two supplied clamps #27-61MSC onto each muffler tube. Refer to Figure 4 for proper alignment.
12. Slide the muffler assembly onto the head pipes by tapping on the head pipes with your hand as you push the mufflers forward making sure the assembly slides as far forward as possible. Secure the muffler assembly to the stock sliding hanger on the frame using the supplied 5/16-18 bolts but **DO NOT TIGHTEN**, see Figure 3.
13. Make sure the muffler assembly is parallel to the ground (this is critical) then tighten the following in order, muffler bracket to the frame, muffler assembly to the muffler bracket, head pipe flanges to the motor (slowly tighten opposing nut) and muffler clamps. (NOTE: If the muffler clamps are slid to far up the muffler or past the three slots, the clamps will not tighten.)

** Cobra recommends you always wear a helmet while riding. Please never operate your motorcycle while under the influence of alcohol and/or drugs. Enjoy the new look of your motorcycle and please ride safely.*

14. Unscrew the remaining hose clamps and feed the tail end of the clamp through the clips on the inside of the heatshields. The screw end of the hose clamp should be accessible for tightening but not visible when the heatshields are mounted to the pipes.
15. To install the front heatshield, first slide the rear portion of the heatshield over the muffler, continue to slowly slide it forward pushing the front of the shield gently into place between the frame and motor (Hint: Spread the hose clamps apart slightly to make it easier to slide them over the muffler assembly and head pipes). Make sure the muffler clamps do not interfere with the heatshields and are aligned as shown in Figure 4. Snug the heatshield clamps but **DO NOT TIGHTEN**.
16. Install the rear heatshield the same way as the front heatshield.
17. Make sure the front and rear heatshields are even on the back with each other. Install one billet tip on each heatshield. Fasten the tips with the supplied $\frac{1}{4}$ -20 screws making sure they snug up against the heatshield leaving no gap between the tip and heatshield when tightened. **If it is difficult to slide the tips into the heatshields loosen the clamps on the heatshield, failure to do this may cause damage to the chrome tips.**
18. Tighten the clamps on the heatshield.
19. Reinstall the right floorboard by inserting the two supplied spacers between the floorboard mount and frame then tighten the bolts.
20. Make sure all the hardware (brackets, headpipes, heatshields, mufflers and baffles) has been tightened appropriately and cleaned before starting your motorcycle.
21. Reinstall the saddlebags.

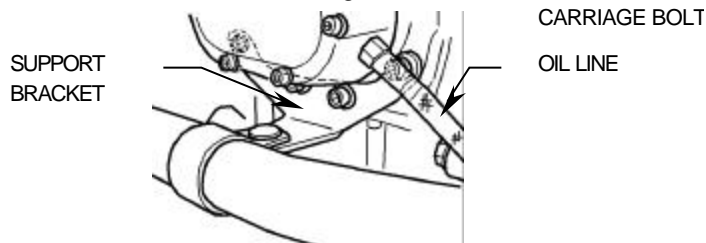


FIGURE 1

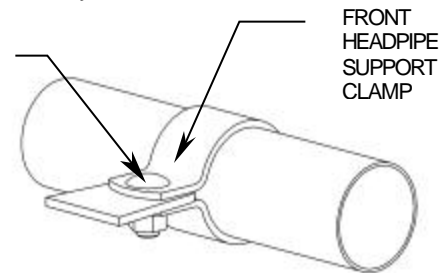


FIGURE 2

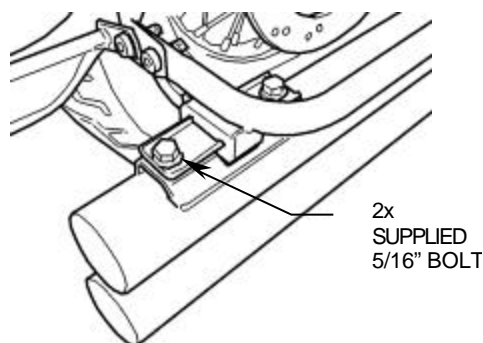
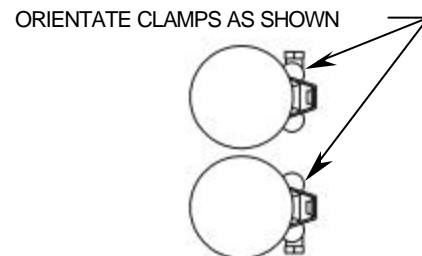


FIGURE 3



FRONT VIEW
FIGURE 4

IMPORTANT: If your motorcycle is equipped with fuel injection it is recommended that you install a Cobra Fi2000 Digital Fuel Processor with your Cobra exhaust system, (Cobra Part#: 692-1602 for 2006 Dresser, 692-1600 for 1995-2005 Dresser.)

Before starting your engine remove all fingerprints from chrome with a quality wax or chrome polish. Failure to do so can cause discoloration.