

Items Supplied >

- 1 – FRONT HEADPIPE AND HEATSHIELD
- 1 – REAR HEADPIPE AND HEATSHIELD
- 1 – CROSSOVER PIPE ASSEMBLY AND HEATSHIELD
- 2 – MUFFLER BODY (LEFT AND RIGHT)
- 1 – BRACKET, FRONT HEADPIPE SUPPORT
- 1 – BRACKET, CROSSOVER PIPE SUPPORT
- 1 – FLOORBOARD MOUNT SPACER PLATE
- 1 – CLAMP, FRONT HEADPIPE SUPPORT
- 9 – CLAMP, HOSE HS-24; 2 – CLAMP, HOSE HS-28
- 4 – CLAMP, 27-61 MSC
- 1 – THICK 3/8" WASHER
- 1 – THIN 3/8" WASHER
- 1 – 3/8" X 1" CARRIAGE BOLT
- 1 – 3/8" NYLOCK NUT
- 2 – BILLET MUFFLER TIP
- 2 – 1/4"-20 X 3/8" BUTTONHEAD BOLT

Application(s) >

HARLEY TOURING MODELS:

FLHR	2010-2014
FLHRC	2010-2014
FLHX	2010-2014
FLTR	2010-2014
FLHT	2010-2014
FLHTC	2010-2014
FLHTCU	2010-2014

Instruction Manual >

6973B

Page 1 of 4

PRIOR TO INSTALLATION, MAKE SURE THE STOCK HEADPIPE GASKETS ARE IN GOOD CONDITION, IF THERE IS ANY DOUBTS ABOUT THEIR CONDITION REPLACE THEM.

Read all instructions carefully and completely before installing your new exhaust system.

1. Remove both left and right saddlebags and set them aside.
2. Remove the right side rider floorboard from the floorboard mounts and set aside. Remove the right rear floorboard mount from frame and set aside. See Figure 5 for reference.
3. Unplug the (2) O₂ sensors on the front and rear headpipes from motorcycle wire harnesses.
4. Remove the stock crossover headpipe support bracket by removing the (2) stock allen bolts located on the backside of the transmission pan underneath the motorcycle. Remove the 5/16 hex flange bolt that fastens the bracket to the exhaust pipe. Save all (3) bolts for later use but discard the bracket. See Figure 1 for location.
5. Remove the stock exhaust system. It may be necessary to lubricate the slip joints of the exhaust with WD-40 or similar lubricant to aid in disassembly. The stock muffler slide hangers and mounting hardware should be left in place in the rubber mounts for later installation of the mufflers.
6. Remove the stock front headpipe support bracket from the right side of the motorcycle and replace with the supplied front headpipe support bracket and tighten the stock bolts and washers to factory specifications. See Figure 2.
7. Remove the stock exhaust flanges, retaining rings and O₂ sensors from the stock headpipes and install them on the supplied front and rear headpipes. NOTE: The O₂ sensor with the black connector threads into rear headpipe bung, while the O₂ sensor with the light gray connector threads into front headpipe bung.
8. Install the front headpipe on the motorcycle using the stock flange nuts to secure it to the exhaust port studs, but **do not tighten** at this time. Slide the headpipe support clamp onto the headpipe and over the supplied exhaust mount installed in Step 6; make sure the clamp's square hole is on top. Insert the carriage bolt through the brackets then install the supplied thin 3/8" washer and nylock nut but **do not tighten** at this time. See Figure 2.
9. Install the rear headpipe on the motorcycle using the stock flange nuts to secure it to the exhaust port studs, but **do not tighten**.
10. Remove crossover pipe assembly from box and slide the (2) supplied 27-61MSC clamps over the expanded inlets. Refer to Figure 3A for clamp alignment.
11. Make sure the front and rear headpipes are parallel then slide the crossover pipe assembly onto the headpipes by tapping on the headpipes with your hand as you push the crossover pipes forward making sure the assembly slides as far forward as possible. Lightly snug the 27-61MSC clamps around the expanded inlets but **do not tighten** at this time.

*** Cobra® recommends you always wear a helmet while riding. Please never operate your motorcycle while under the influence of alcohol and/or drugs. Enjoy the new look of your motorcycle and please ride safely.**

12. Install the supplied crossover support bracket to the stock mounting location, described in Step 4, using the (2) stock allen bolts removed in Step 4 and tighten. Adjust the crossover pipe assembly for and aft so the welded mount rests flush against support bracket, then align the holes and fasten with the stock 5/16 hex flange bolt removed in Step 4. See Figure 1. Make sure the crossover pipe has clearance and does not make contact with the transmission pan; adjust as needed while bolts are loose.
13. Slide the supplied 27-61MSC clamp onto the supplied left muffler and install onto the left crossover pipe assembly. See Figure 3B for clamp alignment. Reinsert the (2) stock 5/16-inch bolts into rear muffler mount. See Figure 4. Repeat on right side (mirror/reverse clamp orientation from that shown in Figure 3B). **Do not tighten** clamps or bolts at this time.
14. Tighten the 5/16 hex bolt and (2) allen bolts on the crossover support bracket, then fully tighten the flange nuts on the exhaust port studs, followed by the 3/8" carriage bolt and nut on the front headpipe support clamp. Next fully tighten all (4) 27-61MSC clamps (NOTE: If the clamps are slid past the slots on the expanded inlets the clamps will not tighten properly).
15. Remove heatshields and hose clamps from packaging. Unscrew the hose clamps and feed the tail end of the clamp through the clips on the inside of the heatshields, the larger #28 clamps go to the rear of the heatshields where they will rest on the muffler bodies, smaller ones to the front for the headpipes. The screw end of the hose clamp should be accessible for tightening but not visible when heatshields are mounted to the pipes, See Figure 3C for clamp alignment.
16. Install front heatshield over the front headpipe (Hint: Spread the hose clamps apart slightly to make it easier to slide them over the headpipe). Align heatshield with headpipe and snug hose clamps but **do not tighten**.
17. To install the right rear heatshield, first slide the rear portion of the heatshield over the muffler, continue to slowly slide it forward pushing the front of the shield gently into place between the frame and motor. Make sure the muffler clamps don't interfere with the heatshields and are aligned as shown in Figure 3A. Snug the heatshield clamps but **do not tighten**.
18. Repeat Step 17 for left rear heatshield and align hose clamps as shown in Figure 3D. Check for clearance around drive belt before securing the hose clamps.
19. Make sure the front and rear heatshields are even on the back with each other. Install one billet tip on each heatshield. Fasten the tips with the supplied 1/4-20 screws making sure they snug up against the heatshield leaving no gap between the tip and heatshield when tightened. **If it is difficult to slide the tips into the heatshields loosen the clamps on the heatshield, failure to do this may cause damage to the chrome tips.**
20. Tighten all hose clamps securing the heatshields.
21. Reconnect the O₂ sensors back into the wire harness. Make sure to match corresponding male and female connectors of the same color.
22. Insert the supplied floorboard spacer plate between the rear floorboard mount and the frame, then align the dowel pin and reinstall the allen bolt, tightening to factory specifications. See Figure 5.
23. Remove the allen bolt that secures the front floorboard mount. Place the supplied thick washer between the front floorboard mount and the frame, then reinstall and tighten the allen bolt to factory specifications. See Figure 6.
24. Reinstall the right side floorboard and tighten all bolts to factory specifications.
25. Reinstall the saddlebags and any other previously removed items. Tighten to factory specifications.
26. Make sure all the hardware (brackets, headpipes, heatshields, mufflers and floorboards) have been tightened appropriately and all finger prints cleaned off before starting your motorcycle.

IMPORTANT: If your motorcycle is equipped with fuel injection it is recommended that you install a Cobra Fi2000® Digital Fuel Processor with your Cobra exhaust system, (Cobra Part#: 692-1612CL for 2008-2009 & 692-1612CL-50 for California models 2008-2009)(Cobra Part#: 692-1615CL for 2010 & 692-1615CL-50 for California models 2010)

CLEANING: To clean your black exhaust system use a liquid based soap detergent, such as dishwashing soap applied with a soft cloth and rinse with clean water. **Note:** Avoid abrasive cleaning methods such as granular or dry cleansers, simple green, scotch-brite or steel wool pads. Abrasives may breach the coating and shorten life.

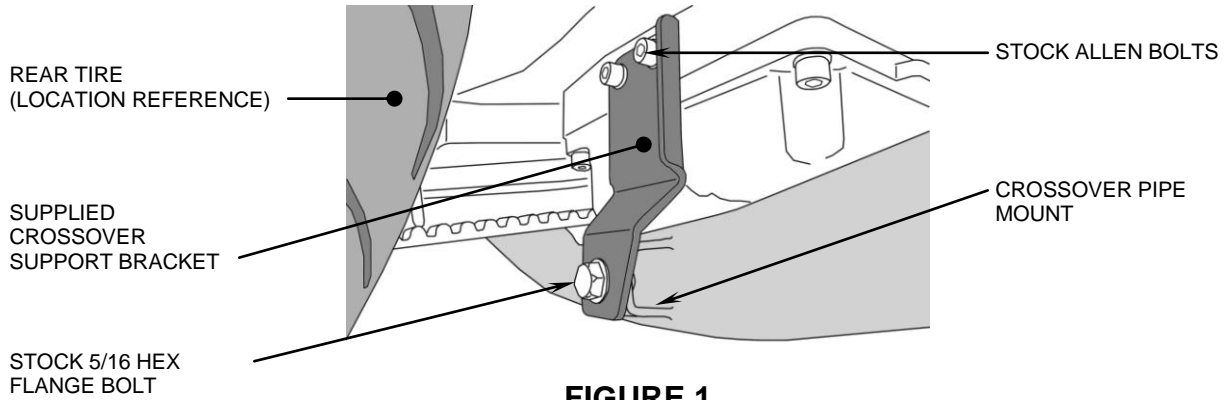


FIGURE 1

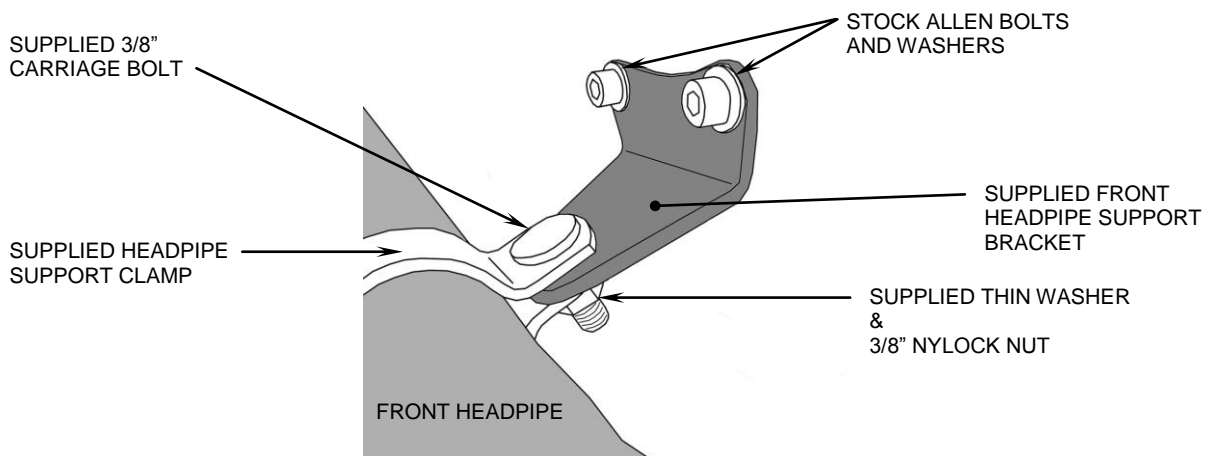


FIGURE 2

FRONT VIEW

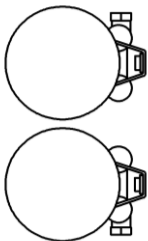


FIGURE 3A
27-61MSC CLAMP
ORIENTATION
(RIGHT SIDE)

FRONT VIEW

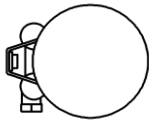


FIGURE 3B
27-61MSC CLAMP
ORIENTATION
(LEFT SIDE)

FRONT VIEW

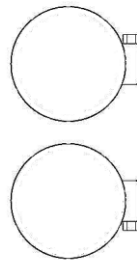


FIGURE 3C
HOSE CLAMP
ORIENTATION
(RIGHT SIDE)

FRONT VIEW

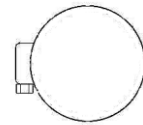


FIGURE 3D
HOSE CLAMP
ORIENTATION
(LEFT SIDE)

(LEFT SIDE SHOWN FROM REAR VIEW)

SUPPLIED MUFFLER

STOCK 5/16 MOUNTING BOLT AND LOCK WASHER

FIGURE 4

RIGHT SIDE FRAME RAIL

FLOORBOARD SPACER PLATE

RIGHT REAR FLOORBOARD MOUNT

FIGURE 5

RIGHT FRONT FLOORBOARD MOUNT

SUPPLIED THICK SPACER

FIGURE 6

California does not allow the use of aftermarket exhaust systems that remove original equipment catalyts, (except for racing use only) unless the Air Resources Board has issued an Executive Order for that system.